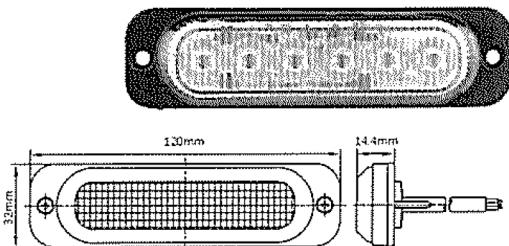


# OPERATING INSTRUCTIONS

## B6106 LED WARNING LIGHTS

### Specifications

Base: Aluminium  
 Lens: Polycarbonate  
 LEDs per head: 6  
 Voltage: 10-30VDC  
 Max Current Draw:  
 1.5AMP @ 12VDC / 0.75AMP @ 24VDC  
 Max Power: 18 Watt  
 Flash Patterns: 10  
 Single Colours: Amber, Blue, White,  
 Green, Red  
 Split Colours: Red/Blue , Amber/Green



Base6 recommends you use a licenced auto electrician for the installation of this product.

Failure to use any specified installation parts or hardware will void the product warranty.



For this product to operate at optimum efficiency, a solid connection to chassis must be made for the ground.

It is recommended that these instructions be stored for future reference.

Do not install or operate this safety product unless you have read and understand the safety information contained in this manual.

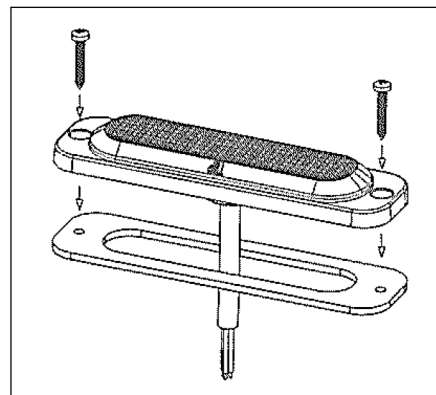
This document provides all the necessary information to allow your product to be properly and safely installed. Before beginning the installation and operation of your new product, the installation technician and operator must read this manual.

### Flash Patterns

Random	Quint (split)	Triple (split)	Quint (all)
Single (split)	Triple (all)	Single (all)	Single-Quad (split)
Double (split)	Quint (all)		

**Important!** As this product is a warning light, it is highly suggested to be connected to its own line of fused power. This is to assure its continued operation should any other electrical accessory fail.

Read all safety notes and mounting guidelines before installing the product. Verify all parts listed under "In the Box" are present and complete. (Picture 1)  
 Verify that all power supply complies to the specified voltage limits for the light.



To change flash patterns while synchronized, touch the red wires to the yellow wires and hold for 1-2 seconds. This will cycle the flash patterns.  
 NOTE: If the light could not be synced please repeat step 1.

#### Grouping for Alternating Flash:

To asynchronize any number of lighthead, connect the following: BLACK to Negative, RED to Positive, Connect all GREEN wires together. (All units must be reset individually on the first pattern to remain synced together)

Connecting one or more units GREEN wires to the RED wire will set alternating flash.

Do not connect the RED and YELLOW wires permanently.

Any issues with syncing please repeat from step 1.

+VDC (Fuse @ 3A)-----RED  
 Chassis Ground-----BLACK  
 Synchronization-----YELLOW  
 Asynchronization-----GREEN

#### Grouping for simultaneous sync:

To synchronize any number of lighthead, connect the following: BLACK to Negative, RED to Positive, Connect all YELLOW wires together.

Touching the RED wires to the YELLOW wires for approx 5 seconds will reset the flash pattern to 0. (All units must be reset individually on the first pattern to remain synced together)

