

VANLITE V40



624 lumens of clean white light



Up to 7 x brighter than the original OEM light & up to half the power consumption



Fits into existing OEM aperture & connector



Integrated switch



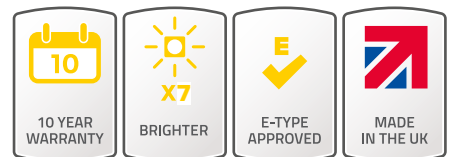
Quick and easy to install - less than 30 seconds



Compatible with a range of Citroen, Fiat, Peugeot & Vauxhall models



TECHNICAL SPECS OVERLEAF 
FEBRUARY 2018



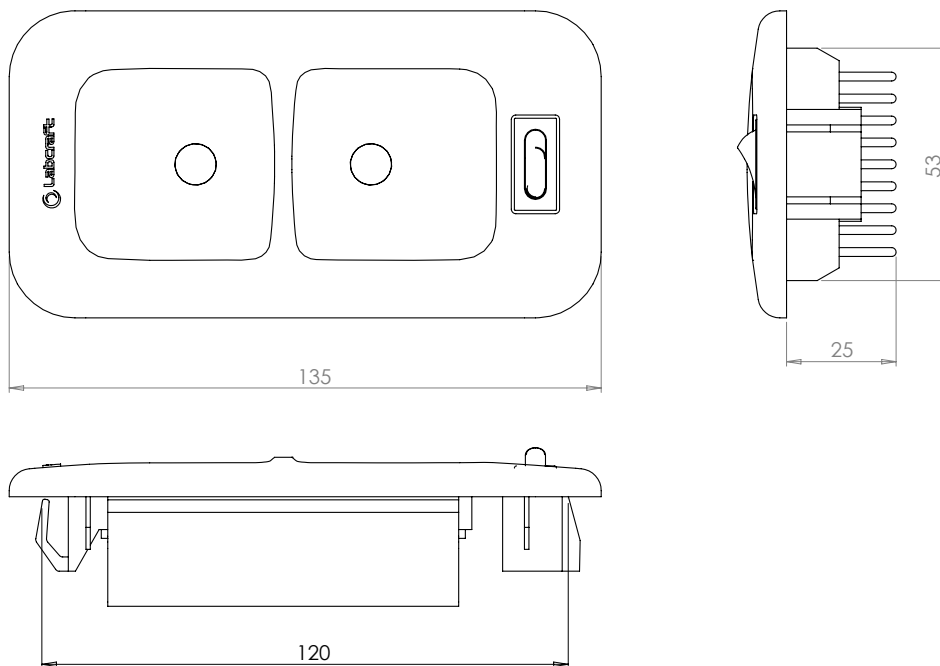
VANLITE V40

Long life, high intensity Cree LEDs - The LED Vanlite V40 uses the latest in LED technology offering optimum performance and extended life, thereby reducing vehicle downtime and increasing productivity. The V40 uses only 6W to produce 624 lumens of clean white light, which is up to 7 times brighter than the original OEM light, whilst using up to half the power consumption, creating a safer, more productive working environment.

Fits into existing OEM aperture & connector - The V40 carries exactly the same fitment specification as the original OEM light to enable quick & easy installation.

Quick & easy to install - The V40 is easy to install without the need for more holes or drilling. Simply pop out your original light, unplug and replace with the V40 - in less than 30 seconds.

10 year warranty - Built with the latest hi-tech heat management and hard-wearing components, the V40 comes with Labcraft's market leading 10 year warranty.



SPECIFICATION

ALL DIMENSIONS HAVE A TOLERANCE OF +/-1mm

		12V	Compatible Makes & Models
Voltage Range	VDC	10-32	Citroen: Relay Fiat: Doblo, Ducato Peugeot: Boxer Vauxhall: Combo, Vivaro (Pre 2001)
Average Current	A	0.45	
Light Output	lm	624	
Watts	W	6W	
Weight	kg	0.14	
Temp. Range	°C	-30 to +40	
IP Rating	IP	IP60	

E & OE

