

# VANLITE V20



479 lumens of clean white light



Up to 7 x brighter than the original OEM light



Fits into existing OEM aperture



Quick and easy to install - less than 30 seconds



Compatible with a range of Ford models



TECHNICAL SPECS OVERLEAF  
FEBRUARY 2018



DESIGNED FOR MULTI-SECTOR APPLICATIONS



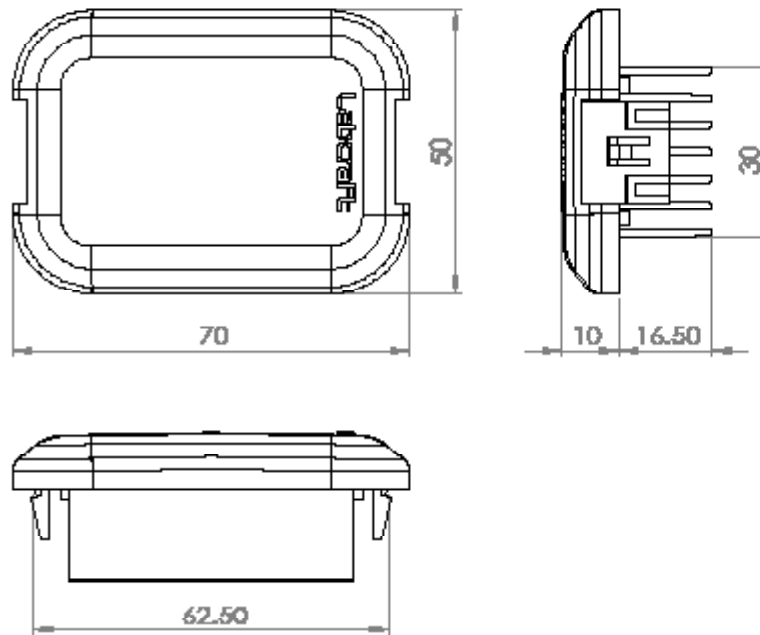
# VANLITE V20

**Long life, high intensity Cree LEDs** - The V20 uses the latest in LED technology offering optimum performance and extended life, reducing vehicle downtime and increasing productivity. The V20 uses only 4.2W to produce 479 lumens of clean white light, which is up to 7 times brighter than the original OEM light, creating a safer, more productive working environment.

**Fits into existing OEM aperture & connectors** - The V20 carries exactly the same fitment specification as the original OEM light to enable quick & easy installation.

**Quick & easy to install** - ProVan is easy to install without the need for more holes or drilling. Simply pop out your original light, unplug and replace with ProVan - in less than 30 seconds.

**10 year warranty** - Built with the latest hi-tech heat management and hard-wearing components, the V20 comes with Labcraft's market leading 10 year warranty.



SPECIFICATION			ALL DIMENSIONS HAVE A TOLERANCE OF +/-1mm
		<b>12V</b>	<b>Compatible Makes &amp; Models</b>
Voltage Range	VDC	10-14	<b>Ford:</b> Transit Courier, Transit Connect SWB & LWB, Transit Custom, Transit Van
Average Current	A	0.35	
Light Output	lm	479	
Watts	W	4.2W	
Weight	kg	TBC	
Temp. Range	°C	-30 to +40	
IP Rating	IP	IP50	

E & OE

