

LED Perimeter Warning Lights

Durability and Resistance.

The BASE6 4 and 6 LED Perimeter Light is built to withstand the toughest conditions, featuring a robust, low-profile alloy housing and an IP69K rating. This ensures the highest level of protection against dust, vibration, and water ingress, making it the perfect choice for extreme environments. Whether you're operating in harsh weather or rugged terrains, this light delivers consistent performance, safeguarding your vehicle and enhancing visibility.

Superior Off-Axis Visibility.

Equipped with advanced directional reflector optics, the BASE6 Amber 4 and 6 LED Perimeter Light offers enhanced off-axis visibility, ensuring that your vehicle is seen from all angles. With 19 user-selectable flashing patterns, including sync and async options, this light provides superior daytime performance, keeping you safe and visible even in the brightest conditions.

ITS IN THE DETAILS.

Upgrade your vehicle's lighting with the BASE6 4 and 6 LED Perimeter Light, designed for exceptional visibility and durability. This high-intensity light features a unique angled design to maximize off-axis visibility, ensuring superior safety and performance. Constructed with a rugged alloy housing and advanced LED technology, this light offers a maintenance-free solution you can rely on.

Key Features and Specifications

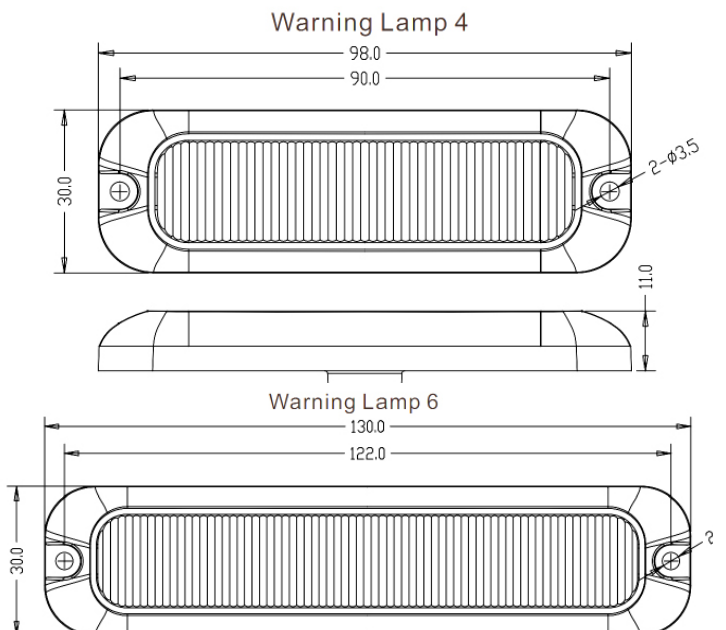
- BASE6 5-Year Warranty
- Flashing Patterns: 19+ user-selectable options
- Enhanced Visibility: New and improved off-axis performance with unique directional reflector optics
- Daytime Performance: Superior brightness for all-day use
- Housing: Low profile, heavy-duty alloy construction
- Synchronization: Capable of synchronizing multiple units
- Maintenance-Free: 100% solid state design with no moving parts

TECHNICAL INFO.

B6104*V2 (4 LED Light)	B6106*V2 (6 LED Light)
<ul style="list-style-type: none"> • LEDs: 4 Ultra-High Intensity • Flash Patterns: 19+ user-selectable options • Current Draw: 1amp @12vdc / 0.5amp @24vdc • Dimensions: 91mm (L) x 23mm (W) x 15mm (H) 	<ul style="list-style-type: none"> • LEDs: 6 Ultra-High Intensity • Flash Patterns: 19+ user-selectable options • Current Draw: 1.2amp @12vdc / 0.6amp @24vdc • Dimensions: 113mm (L) x 23mm (W) x 15mm (H) • Dimming Wire: Yes (50% Power)

Part Numbers

B6104AV2 (4 LED Light)	B6106AV2 (6 LED Light)
Amber (B6104AV2)	Amber (B6106AV2)
	Amber/Green (B6106AGV2)





Wiring Instructions for BASE6 4 LED Perimeter Light

Red: Connect to "+" 10-30VDC
Black: Connect to "-" Ground
Yellow: Use for Synchronisation & Flash Pattern Change
White: Use for Simultaneous or Alternating Flash

Synchronisation:
To synchronise multiple units, connect the yellow wires from all units together.

Flash Patterns:
To change the flash pattern, briefly connect the yellow wire to the + VDC:

Tap for less than 1 second to switch to the next pattern.
Hold for 5 seconds to reset to the first pattern.

Simultaneous or Alternating Flash:
Option 1: Connect both the White and Red wires to alternate the flash between units.
Option 2: Connect only the White wires to synchronise the flash across all units.

Wiring Instructions for BASE6 6 LED Perimeter Light

Red: Connect to "+" 10-30VDC
Black: Connect to "-" Ground
Yellow: Use for Synchronisation & Flash Pattern Change
White: Use for Simultaneous or Alternating Flash
Blue: Use for Dimming (50% Power)

Synchronisation:
To synchronise multiple units, connect the yellow wires from all units together.

Flash Patterns:
To change the flash pattern, briefly connect the yellow wire to the + VDC:

Tap for less than 1 second to switch to the next pattern.
Hold for 5 seconds to reset to the first pattern.

Simultaneous or Alternating Flash:
Option 1: Connect both the White and Red wires to alternate the flash between units.
Option 2: Connect only the White wires to synchronise the flash across all units.

Dimming:
To dim the light output to 50%, connect the Blue wire to the + VDC.

Flash Pattern Table for LED Perimeter Lights

1. ECE R65 Single (All)	8. Single (Slow) (All)	15. Single + Quad
2. Double (All)	9. Single + Single (Slow) (All)	16. Single + Strobe (All)
3. Quad (All)	10. Single (Split)	17. Random
4. Quint (All)	11. Double (Split)	18. Combination
5. Strobe (All)	12. Quad (Split)	19. Constant Light
6. Single + Quad (All)	13. Quint (Split)	
7. Single + Strobe (All)	14. Strobe (Split)	